

Field junction box

Model : B500 series

Spec. sheet no. BD05-01

Service intended

The Field junction box range of enclosures delivers an outstanding performance in the severest conditions and meet the needs of the increasingly stringent requirements of hazardous area applications that can be found in particular in the process and energy industries.

Therefore, B500 Series is explosion proof type product which is designed to be used in a critical danger zone by acquiring IECEx and ATEX certificate.



Certificates

ATEX

- II 2G Ex d ia/ib IIC T6 Gb
- II 2G Ex e IIC T6 Gb
- II 2D Ex tb IIIC T85 °C Db

IECEX

- Ex d ia/ib IIC T6 Gb
- Ex e IIC T6 Gb
- Ex tb IIIC T85 °C Db



Standard features

Ambient temperature

-40 ~ +70 °C

Material

Cast aluminium alloy

Degree of protection

EN 60529 / IEC 529 IP67/IP68

Electrical data

Max. voltage : 250 V

Max. current : 20 A

- RTD
- Operating current : 1 mA, Max 5 mA

- Thermocouple
- Resistance : 0.4 ~ 40 ohm/m
- Voltage : 0 ~ 80 mV

- Direct current : Max DC 36 V 20 mA

Field junction box size (mm)

250(W) x 200(L) x 209(H)

350(W) x 300(L) x 210(H)

1. Base model**B500** Field junction box**2. Explosion proof type**

- 0** ATEX II 2G Ex d IIC T6 Gb
- 1** ATEX II 2D Ex tb IIIC T85 °C Db
- 2** ATEX II 2G Ex ia IIC T6 Gb
- 3** ATEX II 2G Ex ib IIC T6 Gb
- 4** ATEX II 2G Ex e IIC T6 Gb
- 5** IECEx Ex d IIC T6 Gb
- 6** IECEx Ex tb IIIC T85 °C Db
- 7** IECEx Ex ia IIC T6 Gb
- 8** IECEx Ex ib IIC T6 Gb
- 9** IECEx Ex e IIC T6 Gb

3. Field junction box size (mm)

- 1** 250(W) x 200(L) x 209(H)
- 2** 350(W) x 300(L) x 210(H)

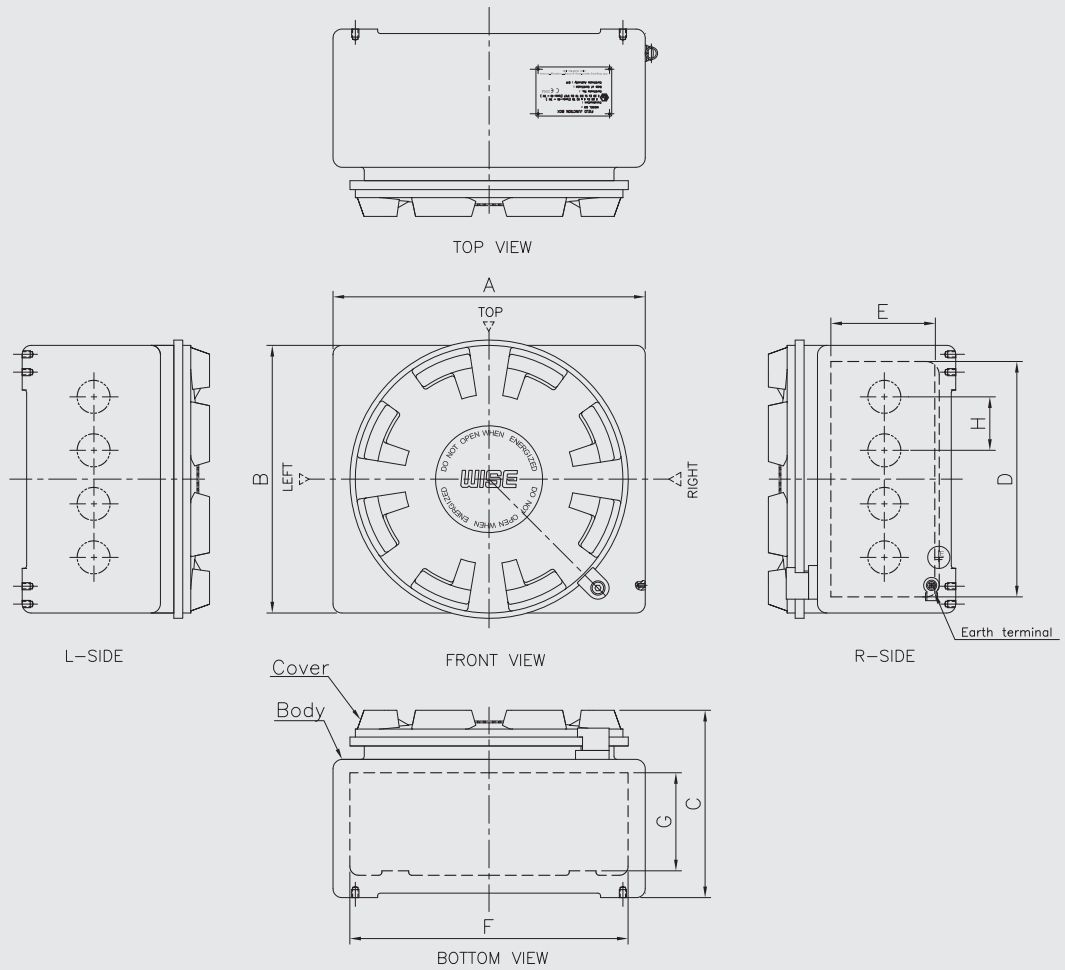
4. Material

- 1** Cast aluminium alloy

5. Cable entries**XX** Refer to cable entry table

1	2	3	4	5	
B500	0	1	1	XX	Sample ordering code

B500 : Type of mounting



Code	A	B	C	Cable entry area at faces		Cable entry table			
				Left & Right Side(D x E)	Top & Bottom Side(F x G)	Thread	Max. number of holes		Thread spacing(H) (maintained over)
							L-Side	R-Side	
B500X111X	250	200	209	166 x 113	216 x 113	PF(G) 1/2"	6	6	50
B500X112X						PF(G) 3/4"	6	6	60
B500X113X						PF(G) 1"	2	2	80
B500X114X						PF(G) 1 1/4"	2	2	80
B500X115X						PF(G) 1 1/2"	2	2	80
B500X211X						350	300	210	264 x 110
B500X212X	PF(G) 3/4"	8	8	60					
B500X213X	PF(G) 1"	3	3	80					
B500X214X	PF(G) 1 1/4"	3	3	80					
B500X215X	PF(G) 1 1/2"	3	3	80					

*Thread hole spacing 50mm maintained over (except for 1 point)

A large empty rectangular box with a thin black border, intended for writing a memo.