

# Flow Switch

Model No. **KFS- 2021 Series**

**KINS**



**KFS- 2021**

## Summary

Flow switch is widely used for control by detecting the flow of hydraulic pump, sewage disposal plant, power plant, etc. The velocity of moving fluid is detected by paddle. By using a metal bellows, it is also designed not to get affected when detecting fluid even though there is a maximum 2MPa pressure change inside the pipe.

### Safety Management

- Be sure to install a protecting device where exist abrupt change of pressure, vibration and pulsation.
- Do not give impact during the transportation, installation and usage.
- Be sure to install pressure gauge to be horizontal and vertical.
- Do not use it over the rated electric capacity.

### Purpose of Use

- For controlling of fluid, warning system
- Fluid pressure, fluid line for industrial use, etc.

### Production Specification

- ▶ Accuracy
  - $\pm 2.0\%$  of Full Scale
- ▶ Working Temperature
  - Fluid :  $1 \sim 100^{\circ}\text{C}$
- ▶ Max. Pressure
  - 2 MPa (20bar)

### Product Specification

- |   |  |
|---|--|
| + Cover <ul style="list-style-type: none"><li>· Polycarbonate</li></ul>             | + Paddle <ul style="list-style-type: none"><li>· STS 304</li></ul>   |
| + Connection <ul style="list-style-type: none"><li>· PT ↔ 1/2, 3/4, 1"</li></ul>    | + Contact Form <ul style="list-style-type: none"><li>· Micro Contact Type</li><li>· SPDT * 1 (High or Low)</li></ul> |
| + Shank setting plate <ul style="list-style-type: none"><li>· Steel(SCP2)</li></ul> | + Contact rating <ul style="list-style-type: none"><li>· AC 125V 15A / 250V 10A</li></ul>                            |

Pressure Gauge

Differential Pressure Gauge & Switch

Accessories of Pressure Gauge

Thermometer & Thermometer Switch

Thermocouple & R.T.D

Thermowell

Transmitter

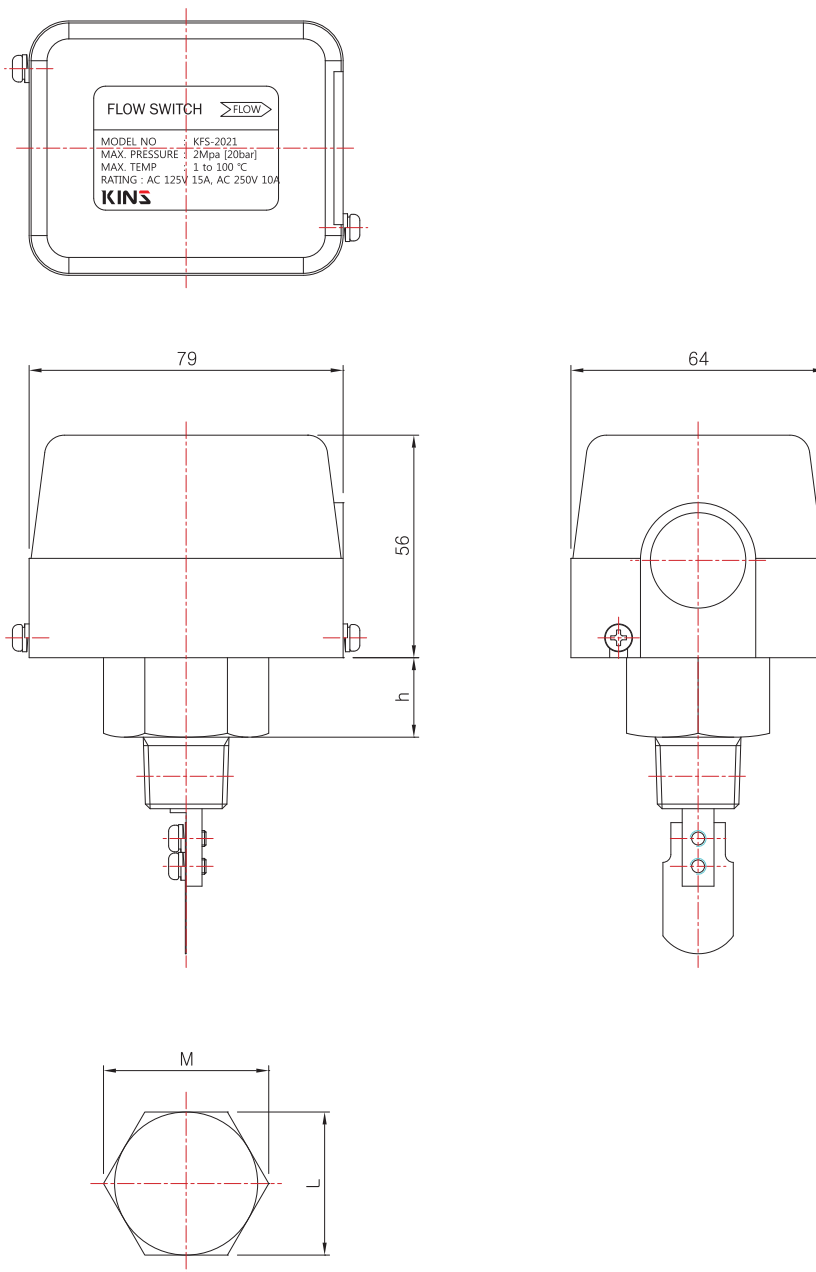
Indicator etc.

Technical data

# Flow Switch

Model No. **KFS- 2021 Series**

## Model No. | KFS- 2021 Direct Type



### Dimensions (mm)

Model No.	Con'n (d)	L	M	h
KFS-2020	PT 1/2	36	(41.5)	(19)
	PF 3/4			
	PT 1			

\*( )The measurement in the blanket is approximate.

Pressure Gauge

Differential Pressure Gauge & Switch

Accessories of Pressure Gauge

Thermometer & Thermometer Switch

Thermocouple & RTD

Thermowell

Transmitter

Indicator etc.

Technical data