

Transparent and two-color type level gauge

Model : L500

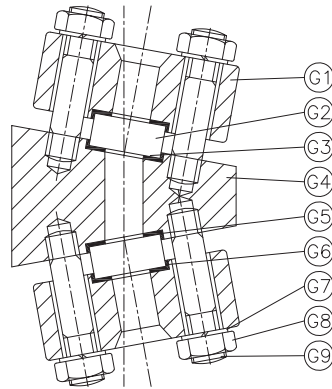
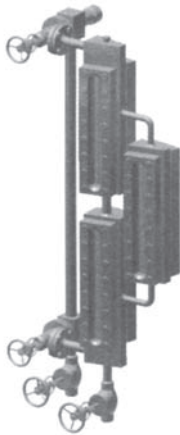
Spec. sheet no. LD05-02

Description

Body of the two color type gauges are V shaped on it's angle, as you see in the following cross sectional view, in order split light from illuminator (installed behind the gauge) into two colors which are green and red.

The cover plates of these models are all provided with rib reinforcement.

Model



- G1. Cover plate
- G2. Gauge glass
- G3. Mica gasket
- G4. Gauge body
- G5. Sealing gasket
- G6. Cushion gasket
- G7. Washer
- G8. Nut
- G9. Bolt

Specification

Size of glass

No.6 ~ No.9

Material

Carbon steel, Stainless steel

Max. pressure

10 MPa

Connection

3/4" or 1" flanged, Socket welds

Max. temperature

Sat. temperature

Dimension

Dimensions

Unit : mm

Model	Side of Gauge mounting against boiler drum		Direction of Gauge Front	Glass No.	Dimensions			
	Left-Hand	Right-Hand			H	l ₁	l ₂	V. L
L500			Front Only	No. 6	510	195	315	225
				No. 7	530	200	330	255
				No. 8	570	220	350	295
				No. 9	590	230	360	315
L500			Free Choice	No. 5	540	270	270	225
				No. 6	570	285	285	225
				No. 7	610	305	305	295
				No. 8	630	315	315	315