

SUMMARY

NT-404A Series is a joint of the two metal plates of different coefficient. of expansion.

Structure is simple and easy to handle and easy to read the gradation at measurements.

Used in measurement temperature of food processor, hygiene or various plant.



Model. NT-404A-1

SPECIFICATIONS

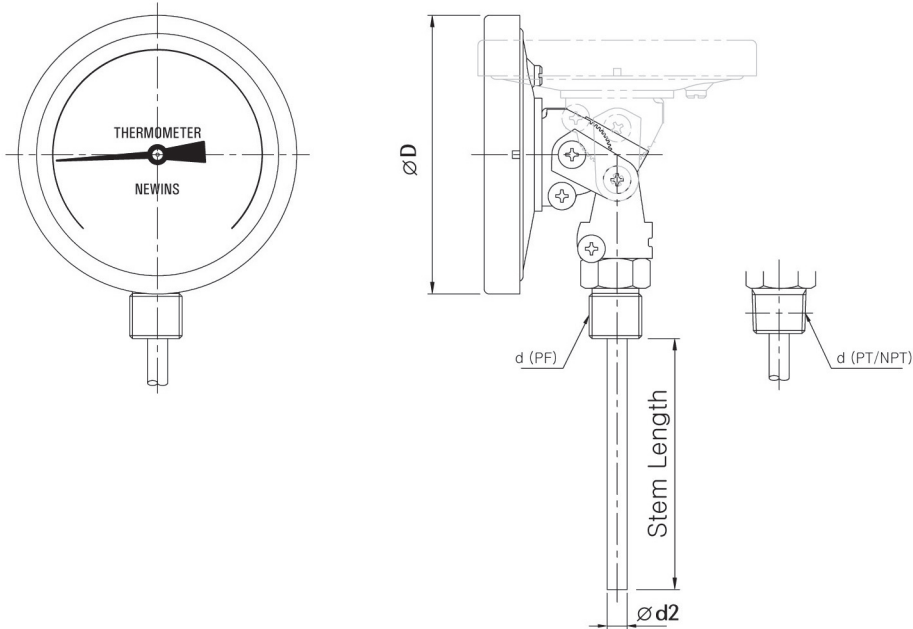
- ▶ **Diameter** : 100,125,150mm
- ▶ **Accuracy**
100,125,150mm : ±2.0% of Full Scale
- ▶ **Scale Range** :
75,100,125,150mm : -30~600 °C
- ▶ **Common Temperature** :
75% of Full Scale
- ▶ **Pressure connection** :
STS 304
- ▶ **Case, Cover**
STS 304
- ▶ **Window**
General Glass
Safety Glass
- ▶ **Dial**
Aluminum
White Coating
- ▶ **Pointer**
Aluminum
Black Coating
- ▶ **Well**
STS 304
Titanium, Monel, Hastelloy
Teflon Lining, Glass Lining

- ▶ **Type** :
NT-404A-1 (100mm Direct Type)
NT-404A-2 (125mm Direct Type)
NT-404A-3 (150mm Direct Type)
- ▶ **Process connection** :
100mm : 1/2", 3/4",1" PT & NPT, PF
125mm : 1/2", 3/4",1" PT & NPT, PF
150mm : 1/2", 3/4",1" PT & NPT, PF
- ▶ **Stem Out Dia** :
∅6.4,∅8,∅10,∅12 / STS 304, STS 316
- ▶ **Standard Scale Range & Stem Length**

Scale Range(°C)	Stem Length (mm)
-20 ~ 80	50
-20 ~ 100	50
0 ~ 50	75
0 ~ 80	50
0 ~ 100	50
0 ~ 120	50
0 ~ 150	45
0 ~ 200	40
0 ~ 250	35
0 ~ 300	75
0 ~ 350	65
0 ~ 400	60
0 ~ 500	60
0 ~ 600	60

A
B
C
D
E
F
G
H
I
J

DIMENSION



Model. NT-404A

STANDARD SPECIFICATIONS

Dial	Model No.	$\varnothing D$	Con'n(d)	$\varnothing d2$	Range	Minimum Graduation	Dimensions (mm)			
							Length of Bulb "L"			
							Minimum Insertion Length			
							$\varnothing d2 = 6.4$	$\varnothing d2 = 8.0$	Max	
100	NT-404A-1	110.5	PF 1/2 NPT & PT 1/2	6.4	-20 ~ 80	2	1000	50	50	
					-20 ~ 100	2		45	45	
					0 ~ 50	1		75	75	
					0 ~ 80	2		60	60	
125	NT-404A-2	127.5	PF 3/4 NPT & PT 3/4	8.0	0 ~ 100	2	50	50		
					0 ~ 120	2	45	45		
					0 ~ 150	2	50	50		
					0 ~ 200	5	30	30		
150	NT-404A-3	173.0	PF 1 NPT & PT 1	8.0	0 ~ 250	5	75	75		
					0 ~ 300	5	60	60		
					0 ~ 350	5	50	50		
					0 ~ 400	10	45	45		
							40	40		