

# Ammonia service pressure gauge

## Model : P111 series

Spec. sheet no. PD0-02

### Service intended

P111 series are designed to withstand the shock, the vibration, and the pulsation which could be generated from the agricultural ammonia equipment.



### Nominal diameter

60, 75 and 100 mm

### Accuracy

±1.5 % of full scale

### Scale range (MPa, kPa, bar)

-0.1 ~ 1, 1.5, 2 MPa

### Working pressure

Steady : 75 % of full scale

Over range protection : 130 % of full scale

### Working temperature

Ambient : -40 ~ 65 °C

Fluid : Max. 200 °C

### Temperature effect

Accuracy at temperature above and below the reference temperature (20 °C) will be effected by approximately ±0.4 % per 10 °C of full scale



## Standard features

### Pressure connection

316SS

### Movement

Brass

### Element

316SS

C type bourdon tube

### Dial

White aluminium with black graduations

### Case

Black finished steel

### Pointer

Black painted aluminium alloy

### Cover

Black finished steel

### Window

Glass

### Process connection

1/4" PT, 3/8" PT and PF

**WISE**<sup>®</sup>

**1. Base model**

**P111** Ammonia service pressure gauge

**2. Nominal diameter (mm)**

- 2 60
- 3 75
- 4 100

**3. Type of mounting**

- A** Bottom connection, direct
- B** Bottom connection, surface, case mounting plate
- M** Lower back connection, flush, case center mounting bracket, only available with diameter 100 mm

**4. Accuracy**

- 4 ±1.5 % of full scale

**5. Process connection**

- C** ¼"
- D** ⅜"

**6. Connection type**

- B** PF
- C** PT

**7. Unit**

- H** bar
- I** MPa
- J** kPa

**8. Range**

- 032** -0.1 ~ 1 MPa (-1 ~ 10 bar)
- 033** -0.1 ~ 1.5 MPa (-1 ~ 15 bar)
- 034** -0.1 ~ 2.0 MPa (-1 ~ 20 bar)

**9. Dial color**

- 6 3 colors

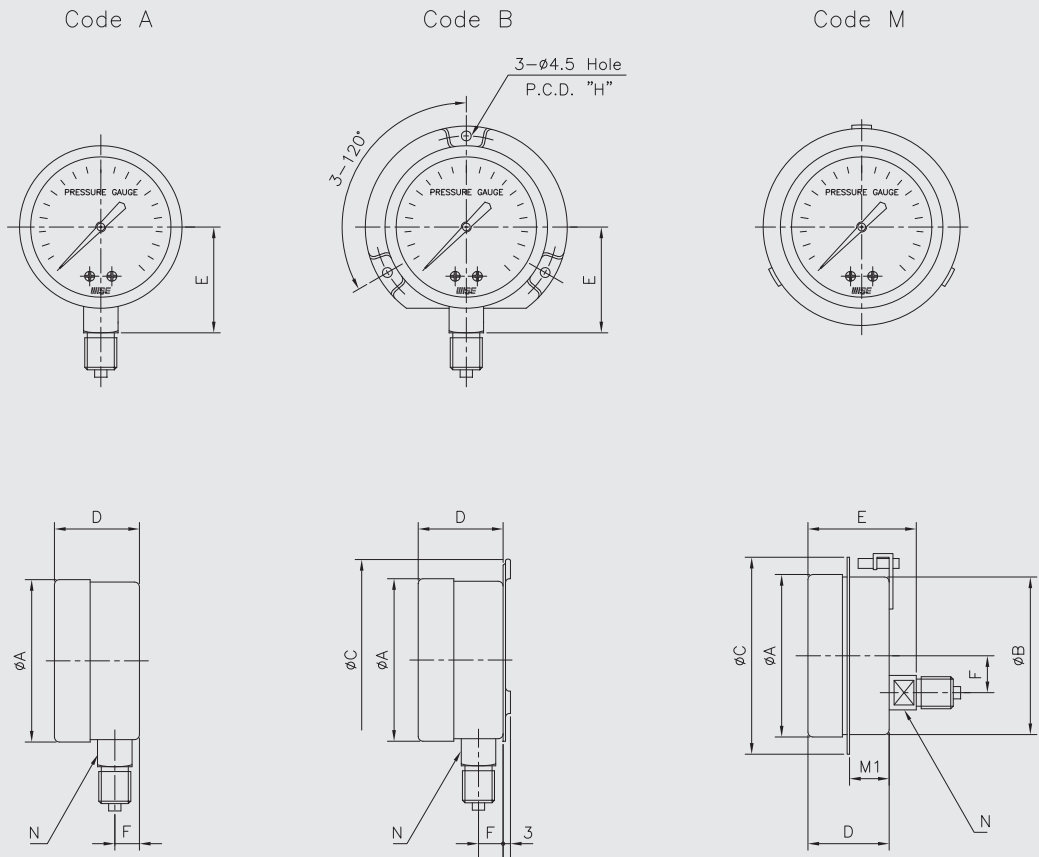
**10. Option**

- 0 None
- 1 Accessories

1	2	3	4	5	6	7	8	9	10
<b>P111</b>	<b>2</b>	<b>A</b>	<b>4</b>	<b>C</b>	<b>C</b>	<b>H</b>	<b>033</b>	<b>6</b>	<b>0</b>

Sample  
ordering code

## P111 : Type of mounting



Dimensions (mm)

Dial size	Available code	A	B	C	D $\pm$ 2	E $\pm$ 2	F $\pm$ 1	H	M1	N
60	A,B	66		82	31.5	42	11	74		14
75	A,B	78		100	34.7	52	12.7	90		17
100	A,B	106		128	35	64.5	12.7	115		17
	M	103.5	102	128	40.5	61.5	36		14	17

Blank memo area for writing.