

Diaphragm Seal Type Pressure Gauge

Model No. **SS-3031/4 Series**

KINS



SS-3031

Summary

This device was designed to guarantee the performance and the lifespan when measuring pressure in chemical industry even when measuring fluid is mixed with powder which has coagulation or with strong corrosiveness.

Safety Management

- Be sure to install a protecting device where exist abrupt change of pressure, vibration and pulsation.
- Do not give impact during the transportation, installation and usage.
- Be sure to install pressure gauge to be horizontal and vertical.

Purpose of Use

- Corrosive fluid such as petrochemistry, etc.
- Fluid which is mixed with dust and solid matter in the plant of cement, papers, etc.
- High temperature, high viscosity fluid, special fluid line for industrial use, etc.

Production Specification

- ▶ Diameter
 - 100 mm
- ▶ Accuracy
 - $\pm 1.0\%$ of Full Scale
- ▶ Scale Range
 - $-0.1 \text{ MPa} \sim 0, -0.1 \text{ MPa} \sim 2 \text{ MPa}, 0 \sim 35 \text{ MPa}$
 - ($\times 1 \text{ MPa} = 10,19716 \text{ kgf/cm}^2$)
- ▶ Working Pressure
 - Static pressure : 75% of Full Scale
 - Fluctuating pressure : 60% of Full Scale
- ▶ Working Temperature
 - Ambient : $-20 \sim 65 \text{ }^\circ\text{C}$
 - Fluid : $-20 \sim 80 \text{ }^\circ\text{C}$

Product Specification

+ Case & Cover
· STS 304

+ Upper Flange
· STS 304, STS 316

+ Under Flange
· STS 304, STS 316

+ Connection
· STS 316
· PF, PT $\leftrightarrow 1/4, 3/8, 1/2, 3/4$

+ Window
· Tempered safety glass,
Laminated safety glass

+ Type
· SS-3031-Type (Direct type - Screw)
· SS-3034-Type (Flexible type - Screw)

+ Pointer
· Aluminum
· Black coating

+ Dial
· Aluminum
· White color coating
· Black gradation and characters

+ Movement
· STS 304

+ Element
· STS 304, STS 316
· C type bourdon tube

+ Diaphragm
· STS 304, STS 316
· Teflon(Lining, Coating), Titanium
· Able to produce teflon(lining, coating)titanium, tantalum, hastelloy, etc

Pressure Gauge

Differential Pressure Gauge & Switch

Accessories of Pressure Gauge

Thermometer & Thermometer Switch

Thermocouple & R.T.D

Thermowell

Transmitter

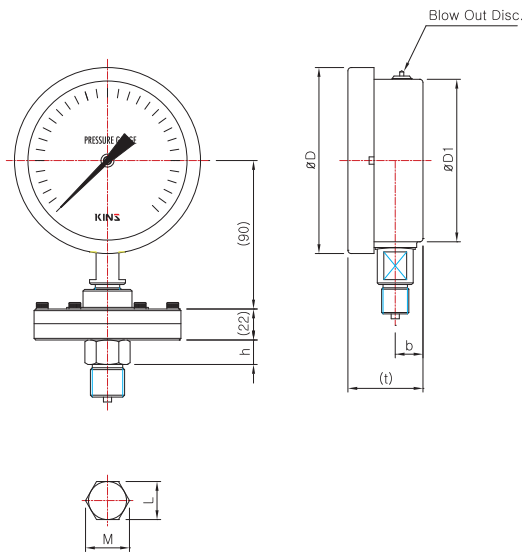
Indicator etc.

Technical data

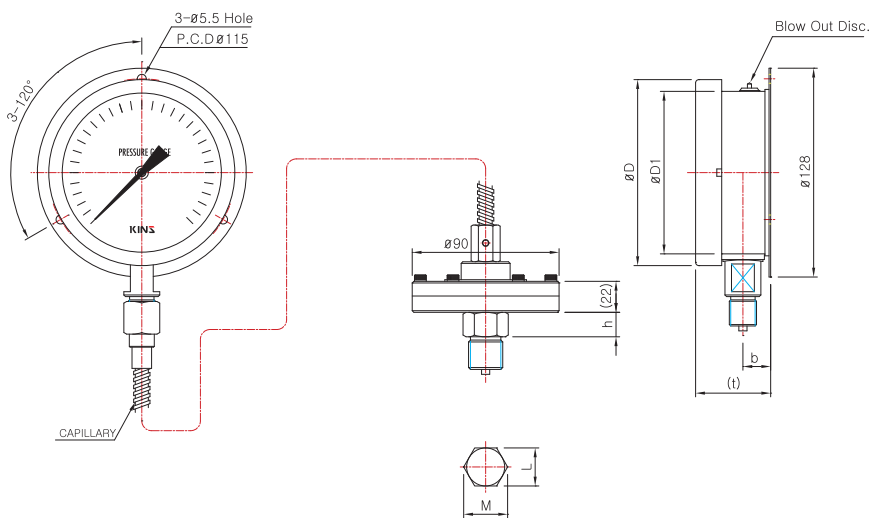
Diaphragm Seal Type Pressure Gauge

Model No. **SS-3031/4 Series**

Model No. | SS-3031 (100mm) A-Type (Rimless type), Direct Type



Model No. | SS-3035 (100mm) B-Type (Surface type), Remote Type



Dimensions (mm)

Model No.	Conn'h (d)	ØD	ØD1	b	n	t	L	M	h
SS-3031 & 3034	NPT & PT, PF 3/8	114	100	17	-	(46)	24	(27.7)	(20)
	NPT & PT, PF 1/2								

*()The measurement in the blanket is approximate.

Pressure Gauge

Differential Pressure Gauge & Switch

Accessories of Pressure Gauge

Thermometer & Thermometer Switch

Thermocouple & R.T.D

Thermowell

Transmitter

Indicator etc.

Technical data