

Liquid Filled Type Thermometer (with Contact)

Model No. **SS-4020 Series**



SS-4020 100mm

Summary

The principle and structure of this temperature measurement instrument is the same as the filled thermometer but it produces a contact signal when there is an increase or decrease of temperature by installing the indicator for high and low set-up.

Safety Management

- If possible, install a well.
- Do not give impact during transportation, installation and usage.
- Be sure to install the thermometer to be horizontal and vertical.
- Avoid the places where steam and poisonous gas exist a lot.

Purpose of Use

- Various temperature control, information system
- Various boilers
- Petrochemistry plant
- Transformer, etc

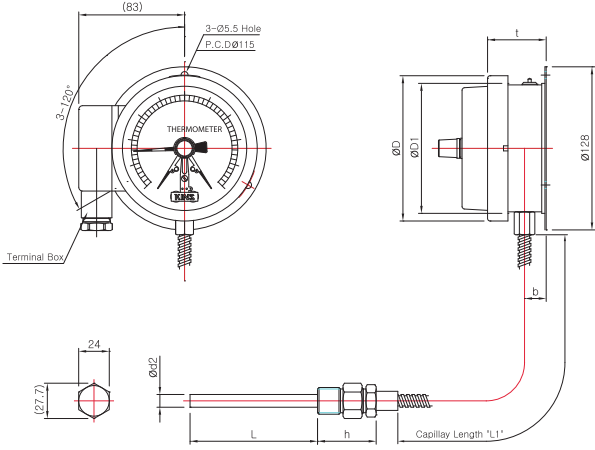
Production Specification

- ▶ Diameter
 - 100 mm
- ▶ Accuracy
 - $\pm 2.0\%$ of Full Scale
- ▶ Scale Range
 - $-30^{\circ}\text{C} \sim 650^{\circ}\text{C}$
- ▶ Common Temperature
 - 75% of Full Scale

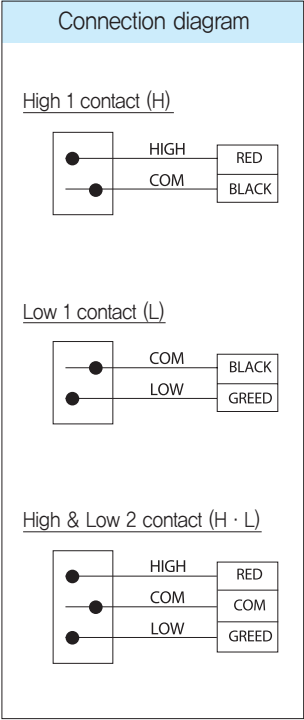
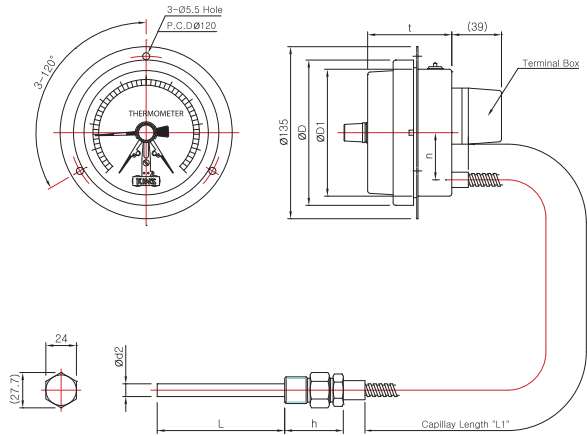
Product Specification

<p>+ Case</p> <ul style="list-style-type: none"> · STS 304 	<p>+ Type</p> <ul style="list-style-type: none"> · B-Type(Surface type) · BD-Type(Panel attachment type) 	<p>+ Contact rating</p> <ul style="list-style-type: none"> · AC 125V 0,5A / 250V 0,25A · DC 24V 0,25A
<p>+ Cover</p> <ul style="list-style-type: none"> · STS 304 · Slip-on-Fit 	<p>+ Dial</p> <ul style="list-style-type: none"> · Aluminum · Color of white · Black gradation and characters 	<p>+ Contact type</p> <ul style="list-style-type: none"> · High and Low 2 contact (High or Low, High & High High & Low, Low & Low)
<p>+ Connection</p> <ul style="list-style-type: none"> · STS 304, 316 · PF, PT, NPT \leftrightarrow 1/2 	<p>+ Pointer</p> <ul style="list-style-type: none"> · Phosphor bronze · Black coating 	<p>+ Well</p> <ul style="list-style-type: none"> · STS 304, 316 · Titanium, Monel, Hastelloy Teflon Lining, Glass Lining
<p>+ Window</p> <ul style="list-style-type: none"> · Poly Carbonate 	<p>+ Capillary Tube</p> <ul style="list-style-type: none"> · Standard 2 M (Maximum 10 M) 	

Model No. | SS-4021 100mm B-Type(Surface type)



Model No. | SS-4022 100mm BD-Type(Panel attachment type)



* Other details are the same as SS-4010 100mm Series

Dimensions (mm)

Model No.	Conn'h (d)	ØD	ØD1	b	n	t	L2	M	k	Ød2	h	f	e	a
SS-4021	PF 1/2	114	100	17	-	(56)	24	(27.7)	17	8 10 12	(50)	20	2	-
	NPT & PT 1/2										(48)	18	-	8.16
SS-4022	PF 1/2	114	100	-	37	(56)	24	(27.7)	17	8 10 12	(50)	20	2	-
	NPT & PT 1/2										(48)	18	-	8.16

* ()The measurement in the blanket is approximate.

- Pressure Gauge
- Differential Pressure Gauge & Switch
- Accessories of Pressure Gauge
- Thermometer & Thermometer Switch
- Thermocouple & R.T.D
- Thermowell
- Transmitter
- Indicator etc.
- Technical data