

Accessories of Pressure Gauge

Model No. SS-CS Coil Syphon Series



Coil Pipe Syphon



Coil Pipe Syphon

Summary

Those accessories' performance and lifespan are dependent on selection of the gauge, correct installation and using method. Therefore, before installing a pressure gauge, it is important to select a proper accessory for purpose of use. Coil Pipe Syphon is used when measuring steam pressure or when the object to be measured is hot. It is very effective to prevent the damage occurred by affecting high temperature to the pressure gauge directly.

Purpose of Use

- For protection against heat
- When measuring high temperature steam
- When attaching in the main steam line

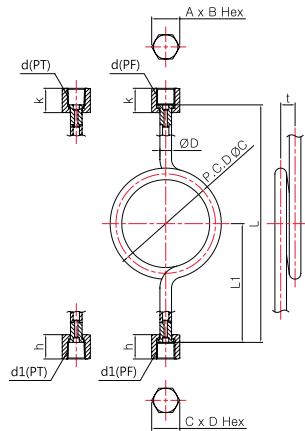
Production Specification

- ▶ Materials
 - Steel (Ni-plating)
 - Stainless Steel
- ▶ Connection
- ▶ Test Pressure
 - 30 MPa
- ▶ Maximum Working Pressure
 - 20 MPa
- ▶ Maximum Working Temperature
 - 350 °C

Product Specification

- | | | |
|---|---|--|
| <ul style="list-style-type: none"> + Joint-Outlet <ul style="list-style-type: none"> · Steel · · · SS41 (Ni-plating) · St, St · · · STS 316 + Nipple-Pipe for connection <ul style="list-style-type: none"> · Steel · · · SS41 (Ni-plating) · St, St · · · STS 316 + Pipe <ul style="list-style-type: none"> · Steel · · · STPG38(Ni-plating) · St, St · · · STS316TP | <ul style="list-style-type: none"> + Joint-Inlet <ul style="list-style-type: none"> · Steel · · · SS41 (Ni-plating) · St, St · · · STS316 + Type <ul style="list-style-type: none"> · Female x Female · Female x Male · Male x Male · Female x Flange · Male x Flange · Flange x Flange <p>※ Single coil type, Double coil type, "L" Type can be custom-built</p> | <ul style="list-style-type: none"> + Cooling effect <ul style="list-style-type: none"> · The cooling effect of Coil Pipe Syphon is dependent on pipe's diameter, length, thickness, temperature, etc. |
|---|---|--|

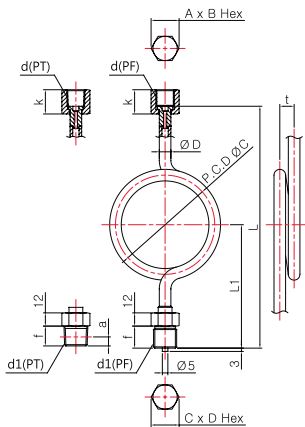
Model No. | SS-CS01 Coil Syphon(Female x Female)



Dimensions (mm)

| Model No. | Con'n(d) | Con'n(d1) | AxB Hex | CxD Hex | k | h | ØD | ØC | t | L1 | L |
|---------------------|------------|------------|---------|---------|----|----|------|------|----|-----|-----|
| Coil Syphon (F)x(F) | PF(PT) 1/4 | PF(PT) 1/4 | 19x21.9 | 19x21.9 | 20 | 20 | 10,5 | 90 | 13 | 110 | 215 |
| | PF(PT) 1/4 | PF(PT) 3/8 | | 22x25.4 | 20 | 22 | | | | | |
| | PF(PT) 1/4 | PF(PT) 1/2 | | 27x31.1 | 20 | 24 | | | | | |
| | PF(PT) 3/8 | PF(PT) 1/4 | 22x25.4 | 19x21.9 | 22 | 20 | 10,5 | 90 | 13 | | |
| | PF(PT) 3/8 | PF(PT) 3/8 | | 22x25.4 | 22 | 22 | | | | | |
| | PF(PT) 3/8 | PF(PT) 1/2 | | 27x31.1 | 22 | 24 | | | | | |
| | PF(PT) 1/2 | PF(PT) 1/4 | 27x31.1 | 19x21.9 | 24 | 20 | 10,5 | 90 | 13 | | |
| | PF(PT) 1/2 | PF(PT) 3/8 | | 22x25.4 | 24 | 22 | | | | | |
| | PF(PT) 1/2 | PF(PT) 1/2 | | 27x31.1 | 24 | 22 | | | | | |
| | | | | | | | | 10,5 | 90 | | |
| | | | | | | | 17,3 | 115 | 20 | | |
| | | | | | | | 21,7 | 120 | 25 | | |

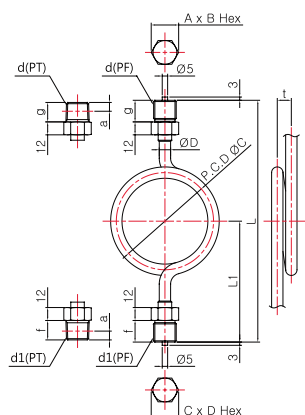
Model No. | SS-CS02 Coil Syphon(Female x Male)



Dimensions (mm)

| Model No. | Con'n(d) | Con'n(d1) | AxB Hex | CxD Hex | k | h | ØD | ØC | t | L1 | L |
|---------------------|-----------|-----------|---------|---------|----|----|------|------|-----|-----|-----|
| Coil Syphon (F)x(M) | PF(PT)1/4 | PF(PT)1/4 | 19x21.9 | 17x21.9 | 20 | 16 | 10,5 | 90 | 13 | 108 | 203 |
| | PF(PT)1/4 | PF(PT)3/8 | | 19x21.9 | 20 | 18 | | | | 110 | 215 |
| | PF(PT)1/4 | PF(PT)1/2 | | 22x25.4 | 20 | 20 | | | | 112 | 217 |
| | PF(PT)3/8 | PF(PT)1/4 | 22x25.4 | 22x25.4 | 22 | 16 | 10,5 | 90 | 13 | 108 | 213 |
| | PF(PT)3/8 | PF(PT)3/8 | | | 22 | 18 | | | | 110 | 215 |
| | PF(PT)3/8 | PF(PT)1/2 | | | 22 | 20 | | | | 112 | 217 |
| | PF(PT)1/2 | PF(PT)1/4 | 27x31.1 | 27x31.1 | 24 | 16 | 10,5 | 90 | 13 | 108 | 213 |
| | PF(PT)1/2 | PF(PT)3/8 | | | 20 | 18 | | | | 110 | 215 |
| | PF(PT)1/2 | PF(PT)1/2 | | | 24 | 20 | | | | 112 | 217 |
| | | | | | | | | 17,3 | 115 | 20 | |
| | | | | | | | 21,7 | 120 | 25 | | |

Model No. | SS-CS03 Coil Syphon(Male x Male)



Dimensions (mm)

| Model No. | Con'n(d) | Con'n(d1) | AxB Hex | CxD Hex | k | h | ØD | ØC | t | L1 | L |
|---------------------|------------|------------|---------|---------|----|----|------|------|-----|-----|-----|
| Coil Syphon (M)x(M) | PF(PT) 1/4 | PF(PT) 1/4 | 19x21.9 | 17x19.6 | 16 | 16 | 10,5 | 90 | 13 | 108 | 216 |
| | PF(PT) 1/4 | PF(PT) 3/8 | | 19x21.9 | 18 | 18 | | | | 110 | 220 |
| | PF(PT) 1/4 | PF(PT) 1/2 | | 22x25.4 | 20 | 20 | | | | 112 | 224 |
| | PF(PT) 3/8 | PF(PT) 1/4 | 22x25.4 | 22x25.4 | 16 | 16 | 10,5 | 90 | 13 | 108 | 216 |
| | PF(PT) 3/8 | PF(PT) 3/8 | | | 18 | 18 | | | | 110 | 220 |
| | PF(PT) 3/8 | PF(PT) 1/2 | | | 20 | 20 | | | | 112 | 224 |
| | PF(PT) 1/2 | PF(PT) 1/4 | 27x31.1 | 27x31.1 | 16 | 16 | 10,5 | 90 | 13 | 108 | 216 |
| | PF(PT) 1/2 | PF(PT) 3/8 | | | 18 | 18 | | | | 110 | 220 |
| | PF(PT) 1/2 | PF(PT) 1/2 | | | 20 | 20 | | | | 112 | 224 |
| | | | | | | | | 17,3 | 115 | 20 | |
| | | | | | | | 21,7 | 120 | 25 | | |

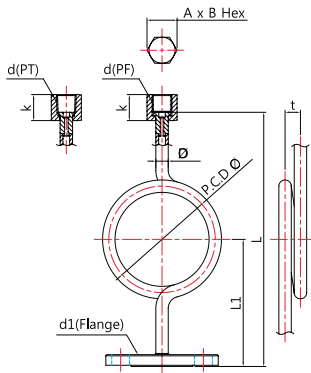
Accessories of Pressure Gauge

Model No. SS-CS Coil Syphon Series

Model No. | SS-CS04 Coil Syphon(Female x Flange)

Dimensions (mm)

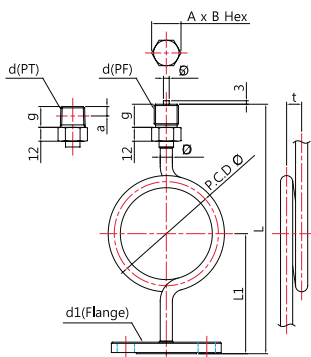
| Model No. | Con'n(d) | Con'n(d1) | AxB Hex | k | ØD | ØC | t | L1 | L | |
|-------------|------------|-----------|-----------|-----------|------|------|----|-----|-----|----|
| Coil Syphon | PF(PT) 1/4 | JIS 10K | 19 x 21,9 | 20 | 10,5 | 90 | 13 | 110 | 215 | |
| | PF(PT) 1/4 | | | | | | | | | |
| | PF(PT) 1/4 | | | | | | | | | |
| | PF(PT) 3/8 | JIS 20K | | 22 x 25,4 | 22 | 10,5 | 90 | | | 13 |
| | PF(PT) 3/8 | | | | | | | | | |
| | PF(PT) 3/8 | | | | | | | | | |
| | PF(PT) 1/2 | ANSI #150 | | 27 x 31,1 | 24 | 10,5 | 90 | | | 13 |
| | PF(PT) 1/2 | | | | | | | | | |
| PF(PT) 1/2 | | | | | | | | | | |
| PF(PT) 1/2 | ANSI #300 | 27 x 31,1 | 24 | 17,3 | 115 | 20 | | | | |
| PF(PT) 1/2 | | | | | | | | | | |
| PF(PT) 1/2 | ANSI #300 | 27 x 31,1 | 24 | 21,7 | 120 | 25 | | | | |



Model No. | SS-CS05 Coil Syphon(Male x Flange)

Dimensions (mm)

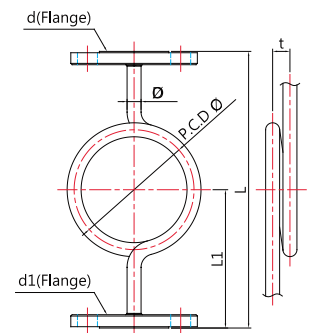
| Model No. | Con'n(d) | Con'n(d1) | AxB Hex | k | ØD | ØC | t | L1 | L | |
|-------------|------------|-----------|-----------|-----------|------|------|----|-----|-----|----|
| Coil Syphon | PF(PT) 1/4 | JIS 10K | 19 x 21,9 | 16 | 10,5 | 90 | 13 | 110 | 215 | |
| | PF(PT) 1/4 | | | | | | | | | |
| | PF(PT) 1/4 | | | | | | | | | |
| | PF(PT) 3/8 | JIS 20K | | 22 x 25,4 | 18 | 10,5 | 90 | | | 13 |
| | PF(PT) 3/8 | | | | | | | | | |
| | PF(PT) 3/8 | | | | | | | | | |
| | PF(PT) 1/2 | ANSI #150 | | 27 x 31,1 | 20 | 10,5 | 90 | | | 13 |
| | PF(PT) 1/2 | | | | | | | | | |
| PF(PT) 1/2 | | | | | | | | | | |
| PF(PT) 1/2 | ANSI #300 | 27 x 31,1 | 20 | 17,3 | 115 | 20 | | | | |
| PF(PT) 1/2 | | | | | | | | | | |
| PF(PT) 1/2 | ANSI #300 | 27 x 31,1 | 20 | 21,7 | 120 | 25 | | | | |



Model No. | SS-CS06 Coil Syphon(Flange x Flange)

Dimensions (mm)

| Model No. | Con'n(d) | Con'n(d1) | ØD | ØC | t | L1 | L |
|-------------|-----------|-----------|------|-----|----|-----|-----|
| Coil Syphon | JIS 10K | JIS 10K | 10,5 | 90 | 13 | 110 | 215 |
| | JIS 20K | JIS 20K | | | | | |
| | ANSI #150 | ANSI #150 | 17,3 | 115 | 20 | | |
| | ANSI #300 | ANSI #300 | | | | | |



Pressure Gauge

Differential Pressure Gauge & Switch

Accessories of Pressure Gauge

Thermometer & Thermometer Switch

Thermocouple & R.T.D

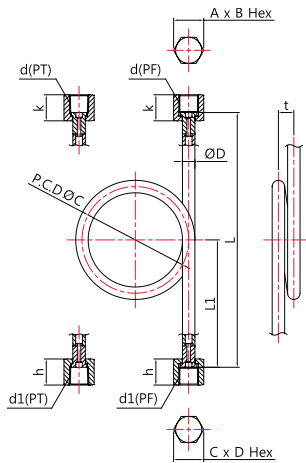
Thermowell

Transmitter

Indicator etc.

Technical data

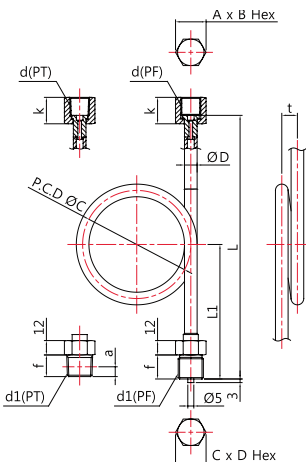
Model No. | SS-CS07 Coil Syphon(Female x Female)



Dimensions (mm)

| Model No. | Con'n(d) | Con'n(d1) | AxB Hex | CxD Hex | k | h | ØD | ØC | t | L1 | L |
|---------------------|-----------|-----------|---------|---------|----|------|------|-----|----|-----|-----|
| Coil Syphon (F)x(F) | PF(PT)1/4 | PF(PT)1/4 | 19x21.9 | 19x21.9 | 20 | 20 | 10.5 | 90 | 13 | 110 | 215 |
| | PF(PT)1/4 | PF(PT)3/8 | | 22x25.4 | 20 | 22 | | | | | |
| | PF(PT)1/4 | PF(PT)1/2 | | 27x31.1 | 20 | 24 | | | | | |
| | PF(PT)3/8 | PF(PT)1/4 | 22x25.4 | 19x21.9 | 22 | 20 | 10.5 | 90 | 13 | | |
| | PF(PT)3/8 | PF(PT)3/8 | | 22x25.4 | 22 | 22 | | | | | |
| | PF(PT)3/8 | PF(PT)1/2 | 27x31.1 | 19x21.9 | 24 | 20 | 10.5 | 90 | 13 | | |
| | PF(PT)1/2 | PF(PT)1/4 | | 22x25.4 | 24 | 22 | 10.5 | 90 | 13 | | |
| | PF(PT)1/2 | PF(PT)3/8 | | 24 | 22 | 17.3 | 115 | 20 | | | |
| | PF(PT)1/2 | PF(PT)1/2 | 27x31.1 | 27x31.1 | 24 | 24 | 10.5 | 90 | 13 | | |
| | | | | | | | 17.3 | 115 | 20 | | |
| | | 21.7 | | | | | 120 | 25 | | | |

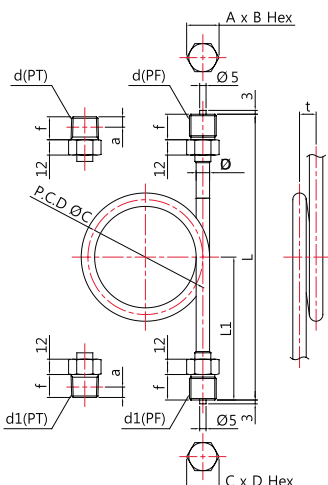
Model No. | SS-CS08 Coil Syphon(Female x Male)



Dimensions (mm)

| Model No. | Con'n(d) | Con'n(d1) | AxB Hex | CxD Hex | k | h | ØD | ØC | t | L1 | L |
|---------------------|------------|------------|---------|---------|----|----|------|-----|----|-----|-----|
| Coil Syphon (F)x(M) | PF(PT) 1/4 | PF(PT) 1/4 | 19x21.9 | 17x21.9 | 20 | 16 | 10.5 | 90 | 13 | 108 | 203 |
| | PF(PT) 1/4 | PF(PT) 3/8 | | 19x21.9 | 20 | 18 | | | | 110 | 215 |
| | PF(PT) 1/4 | PF(PT) 1/2 | | 22x25.4 | 20 | 20 | | | | 112 | 217 |
| | PF(PT) 3/8 | PF(PT) 1/4 | 22x25.4 | 22x25.4 | 22 | 16 | 10.5 | 90 | 13 | 108 | 213 |
| | PF(PT) 3/8 | PF(PT) 3/8 | | | 22 | 18 | 17.3 | 115 | 20 | 110 | 215 |
| | PF(PT) 3/8 | PF(PT) 1/2 | 27x31.1 | 27x31.1 | 22 | 20 | 10.5 | 90 | 13 | 112 | 217 |
| | PF(PT) 1/2 | PF(PT) 1/4 | | | 24 | 16 | | | | 108 | 213 |
| | PF(PT) 1/2 | PF(PT) 3/8 | | | 20 | 18 | | | | 110 | 215 |
| | PF(PT) 1/2 | PF(PT) 1/2 | 27x31.1 | 27x31.1 | 24 | 20 | 17.3 | 115 | 20 | 112 | 217 |
| | | | | | | | 21.7 | 120 | 25 | | |

Model No. | SS-CS09 Coil Syphon(Male x Male)



Dimensions (mm)

| Model No. | Con'n(d) | Con'n(d1) | AxB Hex | CxD Hex | k | h | ØD | ØC | t | L1 | L |
|---------------------|------------|------------|---------|---------|----|----|------|-----|----|-----|-----|
| Coil Syphon (M)x(M) | PF(PT) 1/4 | PF(PT) 1/4 | 19x21.9 | 17x19.6 | 16 | 16 | 10.5 | 90 | 13 | 108 | 216 |
| | PF(PT) 1/4 | PF(PT) 3/8 | | 19x21.9 | 18 | 18 | | | | 110 | 220 |
| | PF(PT) 1/4 | PF(PT) 1/2 | | 22x25.4 | 20 | 20 | | | | 112 | 224 |
| | PF(PT) 3/8 | PF(PT) 1/4 | 22x25.4 | 22x25.4 | 16 | 16 | 10.5 | 90 | 13 | 108 | 216 |
| | PF(PT) 3/8 | PF(PT) 3/8 | | | 18 | 18 | 17.3 | 115 | 20 | 110 | 220 |
| | PF(PT) 3/8 | PF(PT) 1/2 | 27x31.1 | 27x31.1 | 20 | 20 | 10.5 | 90 | 13 | 112 | 224 |
| | PF(PT) 1/2 | PF(PT) 1/4 | | | 16 | 16 | | | | 108 | 216 |
| | PF(PT) 1/2 | PF(PT) 3/8 | | | 18 | 18 | | | | 110 | 220 |
| | PF(PT) 1/2 | PF(PT) 1/2 | 27x31.1 | 27x31.1 | 20 | 20 | 17.3 | 115 | 20 | 112 | 224 |
| | | | | | | | 21.7 | 120 | 25 | | |

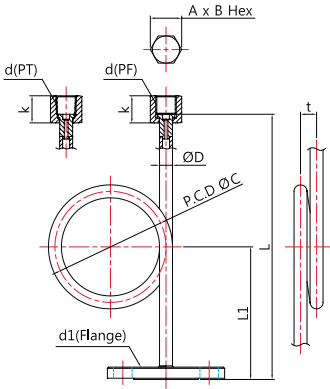
Accessories of Pressure Gauge

Model No. SS-CS Coil Syphon Series

Model No. | SS-CS10 Coil Syphon(Female x Flange)

Dimensions (mm)

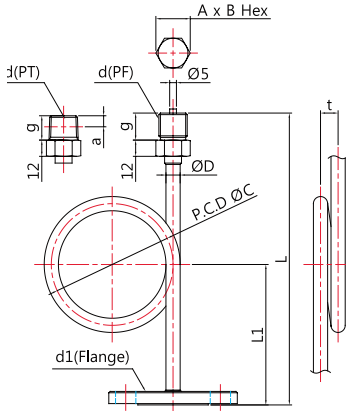
| Model No. | Con'n(d) | Con'n(d1) | AxB Hex | k | ØD | ØC | t | L1 | L | |
|-------------|------------|-----------|-----------|-----------|------|------|----|-----|-----|----|
| Coil Syphon | PF(PT) 1/4 | JIS 10K | 19 x 21,9 | 20 | 10,5 | 90 | 13 | 110 | 215 | |
| | PF(PT) 1/4 | | | | | | | | | |
| | PF(PT) 1/4 | | | | | | | | | |
| | PF(PT) 3/8 | JIS 20K | | 22 | 10,5 | 90 | 13 | | | |
| | PF(PT) 3/8 | | | | | | | | | |
| | PF(PT) 3/8 | | | | | | | | | |
| | PF(PT) 1/2 | ANSI #150 | | 27 x 31,1 | 24 | 10,5 | 90 | | | 13 |
| | PF(PT) 1/2 | | | | | | | | | |
| PF(PT) 1/2 | ANSI #300 | 27 x 31,1 | 24 | 17,3 | 115 | 20 | | | | |
| PF(PT) 1/2 | | | | | | | | | | |
| | | | | | 21,7 | 120 | 25 | | | |



Model No. | SS-CS11 Coil Syphon(Male x Flange)

Dimensions (mm)

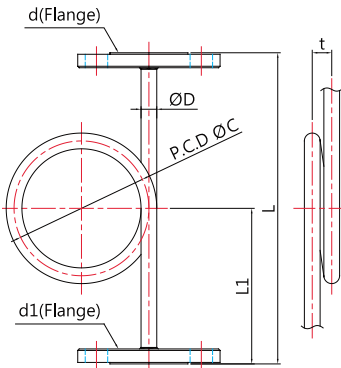
| Model No. | Con'n(d) | Con'n(d1) | AxB Hex | k | ØD | ØC | t | L1 | L | |
|-------------|------------|-----------|-----------|-----------|------|------|----|-----|-----|----|
| Coil Syphon | PF(PT) 1/4 | JIS 10K | 19 x 21,9 | 16 | 10,5 | 90 | 13 | 110 | 215 | |
| | PF(PT) 1/4 | | | | | | | | | |
| | PF(PT) 1/4 | | | | | | | | | |
| | PF(PT) 3/8 | JIS 20K | | 18 | 10,5 | 90 | 13 | | | |
| | PF(PT) 3/8 | | | | | | | | | |
| | PF(PT) 3/8 | | | | | | | | | |
| | PF(PT) 1/2 | ANSI #150 | | 27 x 31,1 | 20 | 10,5 | 90 | | | 13 |
| | PF(PT) 1/2 | | | | | | | | | |
| PF(PT) 1/2 | ANSI #300 | 27 x 31,1 | 20 | 17,3 | 115 | 20 | | | | |
| PF(PT) 1/2 | | | | | | | | | | |
| | | | | | 21,7 | 120 | 25 | | | |



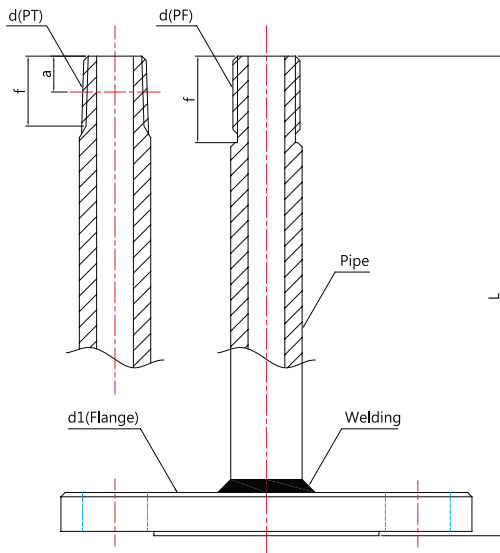
Model No. | SS-CS12 Coil Syphon(Flange x Flange)

Dimensions (mm)

| Model No. | Con'n(d) | Con'n(d1) | ØD | ØC | t | L1 | L |
|-------------|-----------|-----------|------|-----|----|-----|-----|
| Coil Syphon | JIS 10K | JIS 10K | 10,5 | 90 | 13 | 110 | 215 |
| | JIS 20K | JIS 20K | 17,3 | 115 | 20 | | |
| | ANSI #150 | ANSI #150 | | | | | |
| | ANSI #300 | ANSI #300 | 21,7 | 120 | 25 | | |



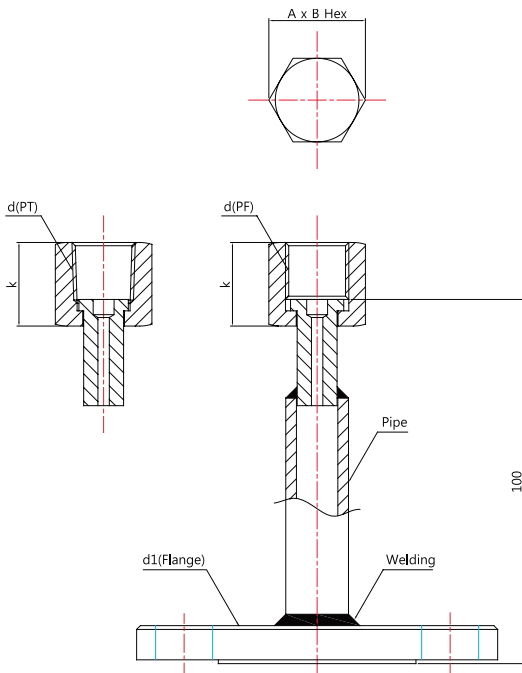
Model No. | SS-IS01 | I TYPE SYPHON (Male)



Dimensions (mm)

| Model No. | Con'n(d) | Con'n(d1) | AxBHex | k |
|---------------|----------|-----------|-----------|----|
| I Type Syphon | PF 3/8 | JIS 10K | 22 x 25,4 | 22 |
| | PT 3/8 | JIS 20K | | 22 |
| | PF 1/2 | ANSI #150 | 27 x 31,1 | 24 |
| | PT 1/2 | ANSI #300 | | 24 |

Model No. | SS-IS02 | I TYPE SYPHON (Female)



Dimensions (mm)

| Model No. | Con'n(d) | Con'n(d1) | AxBHex | f | a | L |
|---------------|----------|-----------|-----------|----|------|-----|
| I Type Syphon | PF 3/8 | JIS 10K | 22 x 25,4 | 22 | - | 98 |
| | PT 3/8 | JIS 20K | | 22 | 6,35 | 96 |
| | PF 1/2 | ANSI #150 | 27 x 31,1 | 24 | - | 100 |
| | PT 1/2 | ANSI #300 | | 24 | 8,16 | 98 |

Pressure Gauge
Differential Pressure Gauge & Switch
Accessories of Pressure Gauge
Thermometer & Thermometer Switch
Thermocouple & R.T.D
Thermowell
Transmitter
Indicator etc
Technical data