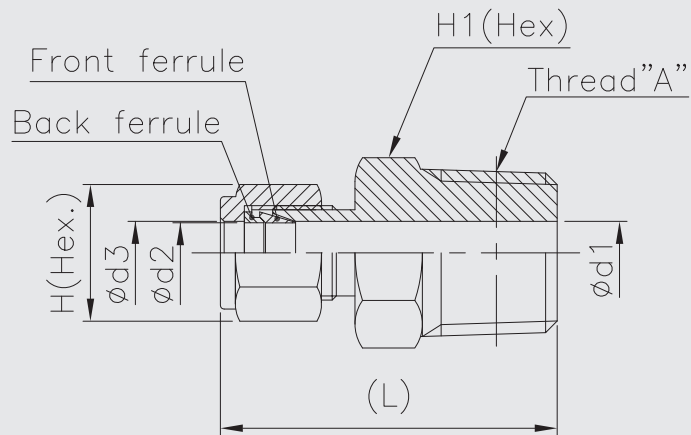


## Standard product drawing (7/8)



Pipe dia	Thread "A"	$\phi d1$	$\phi d2$	$\phi d3$	H1(Hex)	H(Hex)	(L)
$\phi 1.6$	NPT 1/8	1.8	1.6	2	8X8.8	11X12.7	26
	NPT 1/4				17X19.6	14X16.2	36.5
$\phi 3.2$	NPT 1/8	3.4	3.2	3.6	11X12.7	11X12.7	31
	NPT 1/4				14X16.2		36.5
	NPT 3/8				17X19.6		36.5
	NPT 1/2				22X25.4		42.5
$\phi 4.8$	NPT 1/8	5	4.8	5.2	11X12.7	11X12.7	
	NPT 1/4				14X16.2		37
	NPT 3/8				17X19.6		37.8
	NPT 1/2				22X25.4		42.7
$\phi 6.4$	NPT 1/4	6.6	6.4	6.8	17X19.6	14X16.2	40
	NPT 3/8				17X19.6		40
	NPT 1/2				22X25.4		45
$\phi 8.0$	NPT 1/4	8.2	8.0	8.4	17X19.6	17X19.6	40
	NPT 3/8				17X19.6		40
	NPT 1/2				22X25.4		45.7
$\phi 10$	NPT 3/8	10.2	10	10.4	19X21.9	19X21.9	41
	NPT 1/2				22X25.4		47
$\phi 12$	NPT 1/2	12.2	12	12.4	22X25.4	22X25.4	50
$\phi 9.5$	NPT 1/4	9.7	9.5	9.9	17X19.6	17X19.6	40
	NPT 1/2				22X25.4	22X25.4	50
$\phi 12.7$	NPT 1/2	12.9	12.7	13.1	22X25.4	22X25.4	50
$\phi 2.3$	NPT 1/2	2.5	2.3	2.7	22X25.4	11X12.7	
$\phi 6.0$	NPT 1/2	6.2	6.0	6.4	22X25.4	14X16.2	45
$\phi 13.8$	NPT 1/2	14	13.8	14.2	27X31.2	27X31.2	50